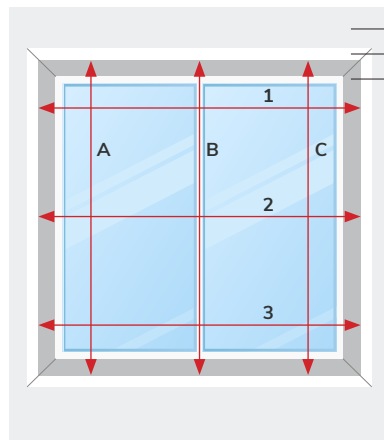


How to measure your windows:

Recess/Reveal Mount

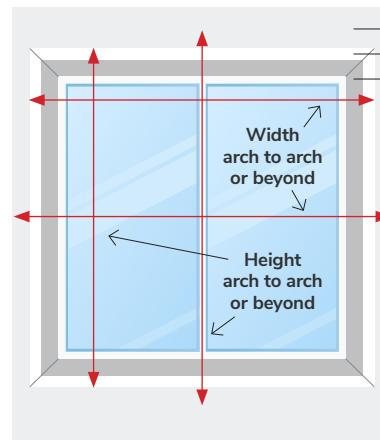


Wall
Architrave
Recess

1. Measure the inside (Width) of the Recess from side to side in three places in millimetres as shown in the diagram. Positions 1,2 & 3.
2. Measure the inside (Height) of the Recess from top to bottom in three places in millimetres as shown in the diagram. Positions A,B & C.

Note: Please advise the smallest width and height measurements. Do not make any deductions, as we will do this for you depending on the type of Blind chosen.

Face Mount



Wall
Architrave
Recess

1. Measure the Width in millimetres of how wide you would like the blind to be, either from architrave to architrave or allowing for your desired overlap on both sides.
2. Measure the Height in millimetres from architrave to architrave or allowing for your desired overlap at the top and bottom.

Note: Blinds ordered as Face Mount will be made to these exact measurements, NO deductions will be made.

For detailed how to measure guides please visit us online at tailormadeblinds.com.au

Have any questions? We're here to help.

Phone us on 1300 023 363